

NV SERIES NEEDLE VALVE (350 BAR/-50°C~+230°C)

NV Stainless Steel Needle Type Globe Valve (1/4"~1")

Uses: applicable to flow regulation and intended for throttling and shutoff

Features: NV needle valve has a high pressure rating and it is easy to switch; the stem seal is compensated with a disc spring to ensure good tightness in high or low temperature applications; the stem has undergone case hardening; the valve has a long life and allows for frequent switching.

Applicable media: steam, water, oils and other gases or liquids compatible with the valve material

Metal material: 304 or 316L stainless steel or super duplex stainless steel 2507 (316L or 2507 is used for only components of the needle valve that are exposed to the media)

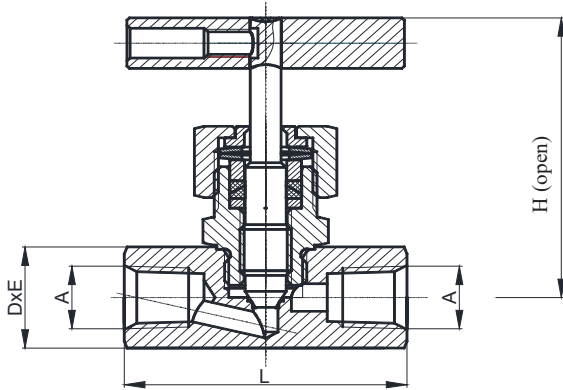
Sealing material: PTFE packing

Type of handle: straight handle (standard)

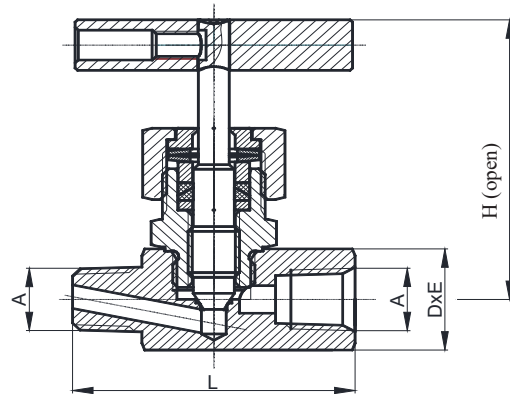
Working temperature: -50°C~+230°C



I) Needle Valves with Threaded Connections



Female Threaded Needle Valve



Female x Male Needle Valve

Ordering Information

Pressure Rating-Temperature Table

NV-G3/8- -SS

Type of valve → NV needle valve
 Connection thread → (see "Table of Technical Data")

SS: 304 stainless steel
 SL: 316L stainless steel
 S7: super duplex stainless steel 2507

Type of thread at inlet/outlet
 Blank: female thread at both ends
 M/F: male threaded inlet, female threaded outlet

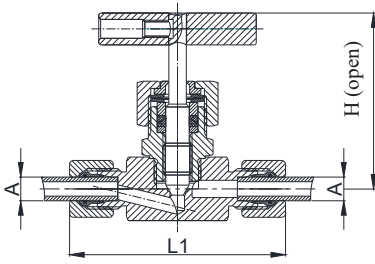
Seal Packing	PTFE
Temperature [°C]	Max. Working Pressure [bar]
-50~+80°C	350
~+120°C	280
~+160°C	230
~+200°C	180
~+230°C	130

Table of Technical Data [mm]

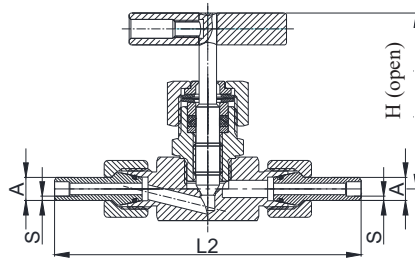
Type of Connection		304 Needle Valve Ordering Number	316L Needle Valve Ordering Number	Connection Thread A	DN	H	L	Square Body D*E	Max. Working Pressure [bar]
Inlet	Outlet								
G Female Thread	G Female Thread	NV-G1/4-SS	NV-G1/4-SL	G1/4	5.0	65.0	54	20*22	350
		NV-G3/8-SS	NV-G3/8-SL	G3/8	6.5	68.0	57	25*25	350
		NV-G1/2-SS	NV-G1/2-SL	G1/2	9.0	72.0	64	28*32	315
		NV-G3/4-SS	--	G3/4	12.0	81.5	75	35*40	250
		NV-G1-SS	--	G1	15.0	92.0	88	50*50	250
NPT Female Thread	NPT Female Thread	NV-1/4NPT-SS	NV-1/4NPT-SL	1/4NPT	5.0	65.0	55	20*22	350
		NV-3/8NPT-SS	--	3/8NPT	6.5	68.0	57	25*25	350
		NV-1/2NPT-SS	--	1/2NPT	9.0	72.0	64	28*32	315
NPT Male Thread	NPT Female Thread	NV-1/4NPT-M/F-SS	NV-1/4NPT-M/F-SL	1/4NPT	5.0	65.0	55	20*22	350
		NV-1/2NPT-M/F-SS	--	1/2NPT	9.0	72.0	66	28*32	315

NV SERIES NEEDLE VALVE (350 BAR/-60 °C~+300 °C)

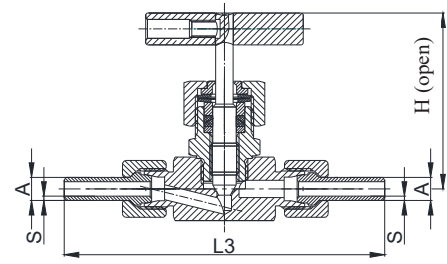
II) Compression/Weld End Needle Valves (directly connected to steel tubes)



Compression End Needle Valve E-
(-50°C~+200°C)



Weld End Needle Valve W-
(-25°C~+200°C)



Hard Sealed Weld End Type K-
(-50°C~+230°C)

Ordering Information

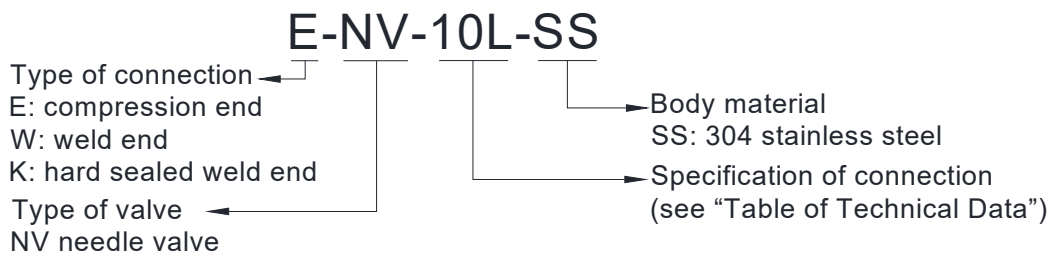


Table of Technical Data [mm]

Compression End	Weld End		Ordering Number	A	S	DN	H	L1	L2	L3	Square Body D*E	Max. Working Pressure [bar]
	W-	K-										
E-	W-	K-	NV-6L-SS	6	1.5	4.0	65.0	68.0	103	103	20*22	350
E-	W-	K-	NV-8L-SS	8	1.5	5.0	65.0	70.2	105	105	20*22	350
E-	W-	K-	NV-10L-SS	10	1.5	6.5	68.0	71.0	107	107	25*25	350
E-	W-	K-	NV-12L-SS	12	1.5	6.5	68.0	72.8	109	109	25*25	315
E-	W-	K-	NV-15L-SS	15	2.0	9.0	72.0	83.1	125	125	28*32	315
E-	W-	K-	NV-22L-SS	22	3.0	12.0	81.5	96.4	140	140	35*40	250