

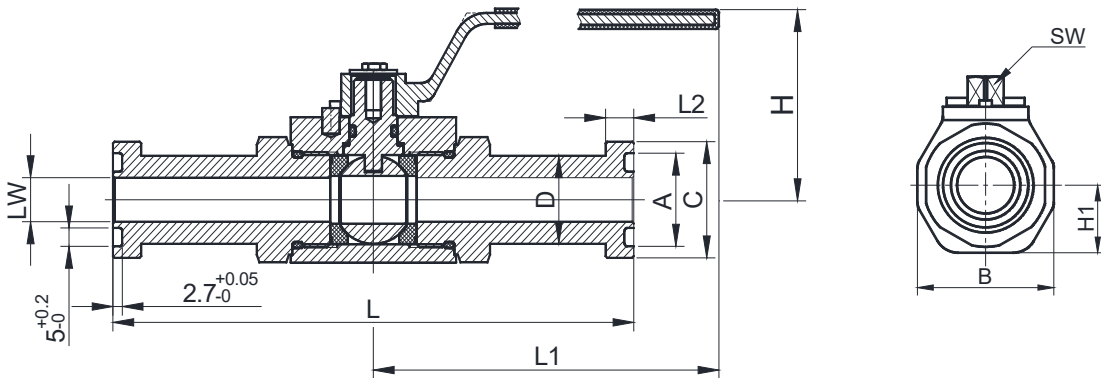
SAE FLANGED HIGH PRESSURE BALL VALVE (350 BAR)

SAE Flanged Ball Valve (split flange)

1. DN20~25 mm: BKH series ball valves
2. DN32~50 mm: SKH series carbon steel ball valves
3. DN32~50 mm: RKH series stainless steel ball valves

Technical Data

- Applicable media: liquids or gases compatible with valve material (for ordering of ball valves for gases, add "-B" to the end of the ordering number, for example: BKH-DN25-SAE3000psi-4425-B)
- Carbon steel body material: 45# (DN20~25), A105 (DN32~50)
- Stainless steel body material: 304 stainless steel
- Stem and body seal: FPM, NBR
- Ball seat seal: POM (PEEK optional)
- Working temperature: -25°C ~ +100°C (seal: POM, FPM)
- ≥DN50 ball valve, the use of gas medium, please choose stainless steel body material



Ordering Numbers of Ball Valves [mm]

Valve Material	DN	SAE3000 psi (medium high pressure)	SAE6000 psi (high pressure)
Carbon Steel (NBR)	20	BKH-DN20-SAE3000psi-S1123	BKH-DN20-SAE6000psi-S1123
	25	BKH-DN25-SAE3000psi-S1123	BKH-DN25-SAE6000psi-S1123
	32	SKH-DN32-SAE3000psi-S3123	SKH-DN32-SAE6000psi-S3123
	40	SKH-DN40-SAE3000psi-S3123	SKH-DN40-SAE6000psi-S3123
	50	SKH-DN50-SAE3000psi-S3123	SKH-DN50-SAE6000psi-S3123
Stainless Steel (FPM)	20	BKH-DN20-SAE3000psi-S4425	BKH-DN20-SAE6000psi-S4425
	25	BKH-DN25-SAE3000psi-S4425	BKH-DN25-SAE6000psi-S4425
	32	RKH-DN32-SAE3000psi-S4425	RKH-DN32-SAE6000psi-S4425
	40	RKH-DN40-SAE3000psi-S4425	RKH-DN40-SAE6000psi-S4425
	50	RKH-DN50-SAE3000psi-S4425	RKH-DN50-SAE6000psi-S4425

Table of Technical Data of SAE3000 psi Ball Valves with Split Flange [mm]

DN	Flange Size	A	C	D	L2	L1	L	LW	H	B	H1	SW	Max. Working Pressure [bar]	
													Liquid	Gas
20	3/4	31.8	38.1	32	7.2	160	162.0	20.0	78.0	49	24.5	14	210	180
25	1	39.6	44.4	38	8.5	160	178.0	23.5	79.0	60	26.5	14	210	180
32	1 1/4	44.5	50.8	43	8.7	210	190.0	31.0	102.5	80	39.5	17	210	180
40	1 1/2	53.7	60.3	50	8.7	210	231.0	38.0	105.5	84	42.0	17	210	180
50	2	63.6	71.4	62	10.2	210	232.0	48.0	113.0	100	50.0	17	210	180

SAE FLANGED HIGH PRESSURE BALL VALVE (3000 PSI/6000 PSI)

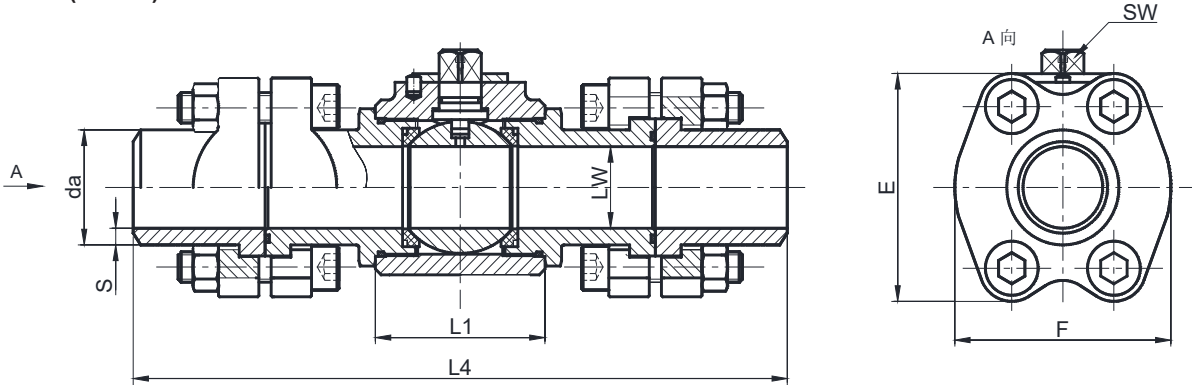
Table of Technical Data of SAE6000 psi Ball Valves with Split Flange [mm]

DN	Flange Size	A	C	D	L2	L1	L	LW	H	B	H1	SW	Max. Working Pressure [bar]	
													Liquid	Gas
20	3/4	31.8	41.3	32	9.3	160	174	20.0	78.0	49	24.5	14	350	350
25	1	39.8	47.6	38	10.0	160	198	23.5	79.0	60	26.5	14	315	315
32	1 1/4	44.5	54.0	44	11.0	210	223	31.0	102.5	80	39.5	17	315	300
40	1 1/2	53.7	63.5	51	13.3	210	281	36.0	105.5	84	42.0	17	315	300
50	2	63.3	79.4	67	13.3	210	316	48.0	113.0	100	50.0	17	315	270

SAE Flanged Ball Valves with Weld Mating Flange

W-BKH/SKH (≤DN25)

W-RKH (>DN25)



For ordering of ball valves with weld mating flange (as shown in the above figure), add "W-" to the beginning of the ordering number and specify the outer diameter and wall thickness of weld nipple (da*S).

Ordering Information: W-RKH-DN50-SAE3000psi-S4425-60*5-SS (see table below for ordering number)

Ordering Numbers of Stainless Steel Ball Valves with Weld Mating Flange (seal: POM, FPM) [mm]

Nominal Pressure	DN	Ordering Number	da*S	E	F	L4
3000 psi	20	W-BKH-DN20-SAE3000psi-S4425-28*2.5-SS	28*2.5	65	51.8	232
	25	W-BKH-DN25-SAE3000psi-S4425-34*3-SS	34*3	70	58.4	258
	32	W-RKH-DN32-SAE3000psi-S4425-42*4-SS	42*4	79	72.6	280
	40	W-RKH-DN40-SAE3000psi-S4425-48*4-SS	48*4	94	82.2	331
	50	W-RKH-DN50-SAE3000psi-S4425-60*5-SS	60*5	102	96.4	352
6000 psi	20	W-BKH-DN20-SAE6000psi-S4425-28*4-SS	28*4	71	60.0	264
	25	W-BKH-DN25-SAE6000psi-S4425-34*5-SS	34*5	81	69.9	298
	32	W-RKH-DN32-SAE6000psi-S4425-42*5-SS	42*5	95	77.2	333
	40	W-RKH-DN40-SAE6000psi-S4425-48*6-SS	48*6	113	95.0	401
	50	W-RKH-DN50-SAE6000psi-S4425-60*8-SS	60*8	133	113.8	456