

MF DIRECT ACTING SOLENOID VALVE (0~25 BAR)

MF Stainless Steel Direct Acting Solenoid Valve (DN8~10mm)

Features

- Direct acting construction, relatively high pressure rating, quick action
- Large bore, no pilot hole, strong anti-blocking ability

Applicable Media

Air, water, oils, non-corrosive neutral gases and liquids

Technical Data

- Working pressure: 0~25 bar
- Temperature of medium: -5°C~+80°C
- Ambient temperature: -10°C~+50°C
- Supply voltage: 24 VDC (max. deviation ±10%)
- Viscosity of medium: ≤40 cst
- Type of switching: normally closed NC (closed with power off & open with power on), normally open NO (open with power off & closed with power on)



Application of Sealing Materials

Code	Material	Uses
F	FPM	Good corrosion resistance; applicable to most media; intolerant of ammonia, alcohols and diethyl ether
E	EPDM	Intended for ammonia, acetic acid, methanol, steam and ethylene glycol; mineral oil intolerant

Ordering Information

MF08-G3/8-24VDC-F-SS-

Type of solenoid valve
MF: direct acting solenoid valve
Nominal size
8mm、10mm
Code of connection
G_{3/8}, G_{1/2} female thread
Working voltage
24VDC: 24 V direct current

Optional configuration
NO: normally open; omitted for NC type
Solenoid valve body material
SS: stainless steel
Valve sealing material
F: FPM (standard)
E: EPDM (optional)

Outline Diagram of Female Connection

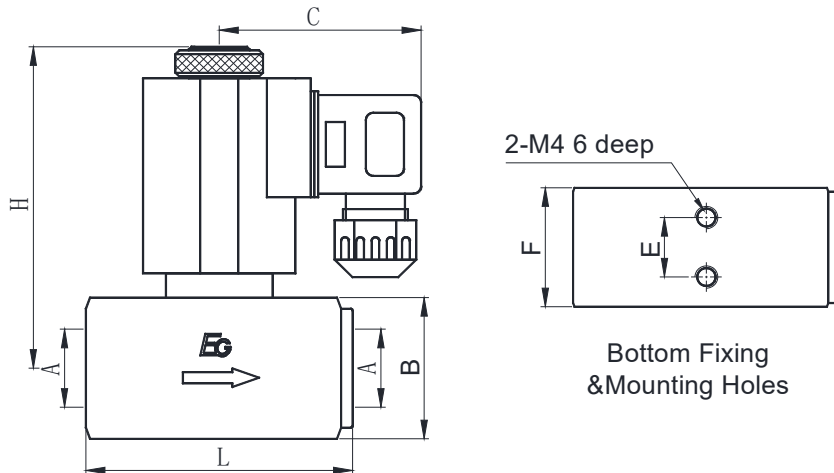


Table of Technical Data [mm]

Ordering Number	Connection A	DN	L	H	B	F	E	M	C	Working Pressure [bar]	Power
MF08-G3/8-24VDC-F-SS	G3/8	8	62	67	32	28	19	M4	54	0~25	22W
MF10-G1/2-24VDC-F-SS	G1/2	10	70	84	38	32	23	M5	54	0~25	26W