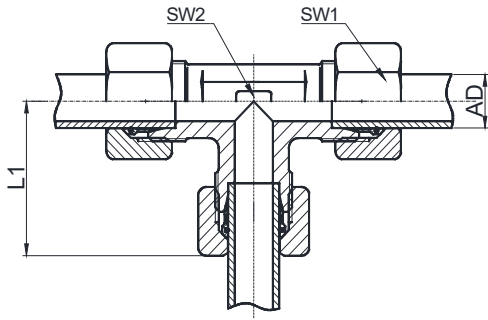
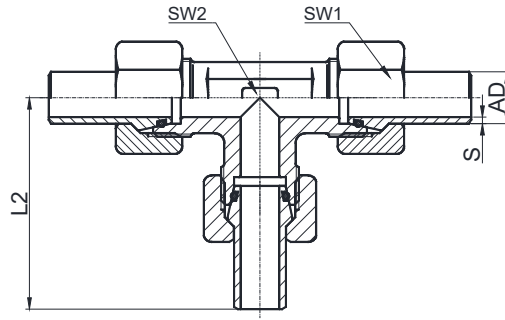


TV STAINLESS STEEL EQUAL TEE



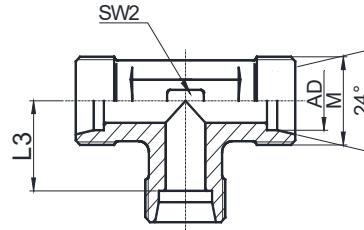
Bite Type Fitting

Ordering Information: E-TV-L22-SS (high pressure)
B-TV-L22-SS (corrosion-resistant)



Weld Fitting

Ordering Information: W-TV-L22-SS



Body

Ordering Information: TV-L22-SS

Series	Bite Type		Weld Type	Body Ordering Number	Tube Size AD	S	L1	L2	L3	SW1	SW2	M
L	E-	B-	W-	TV-L06-SS	6	1.5	27.0	44.0	12.0	14	12	M12*1.5
	E-	B-	W-	TV-L08-SS	8	1.5	29.0	46.0	14.0	17	12	M14*1.5
	E-	B-	W-	TV-L10-SS	10	1.5	30.0	47.5	15.0	19	14	M16*1.5
	E-	B-	W-	TV-L12-SS	12	1.5	32.0	50.0	17.0	22	17	M18*1.5
	E-	B-	W-	TV-L15-SS	15	2.0	37.5	58.0	21.0	27	19	M22*1.5
	E-	B-	W-	TV-L18-SS	18	2.5	41.0	62.0	23.5	32	24	M26*1.5
	E-	B-	W-	TV-L22-SS	22	3.0	45.0	67.0	27.5	36	27	M30*2
	E-	B-	W-	TV-L28-SS	28	4.0	49.0	73.5	30.5	41	36	M36*2
	E-	B-	W-	TV-L35-SS	35	4.0	58.0	83.0	34.5	50	41	M45*2
	E-	B-	W-	TV-L42-SS	42	5.0	64.0	89.0	40.0	60	50	M52*2
S	E-	-	W-	TV-S06-SS	6	1.5	30.0	48.0	16.0	17	12	M14*1.5
	E-	-	W-	TV-S08-SS	8	1.5	32.0	49.0	17.0	19	14	M16*1.5
	E-	-	W-	TV-S10-SS	10	2.0	34.0	51.0	17.5	22	17	M18*1.5
	E-	-	W-	TV-S12-SS	12	2.0	37.0	55.0	21.5	24	19	M20*1.5
	E-	-	W-	TV-S14-SS	14	2.0	40.0	62.0	22.0	27	19	M22*1.5
	E-	-	W-	TV-S16-SS	16	2.5	44.0	65.0	24.5	30	24	M24*1.5
	E-	-	W-	TV-S20-SS	20	3.0	46.0	73.0	26.5	36	27	M30*2
	E-	-	W-	TV-S25-SS	25	4.0	55.0	82.0	30.0	46	36	M36*2
	E-	-	W-	TV-S30-SS	30	4.0	63.0	91.5	35.5	50	41	M42*2
E-	-	W-	TV-S38-SS	38	5.0	74.0	103.0	41.0	60	50	M52*2	

Note: All the materials listed above are 304 stainless steel. For 316L stainless steel, change "-SS" to "SL". The standard sealing material is FPM.