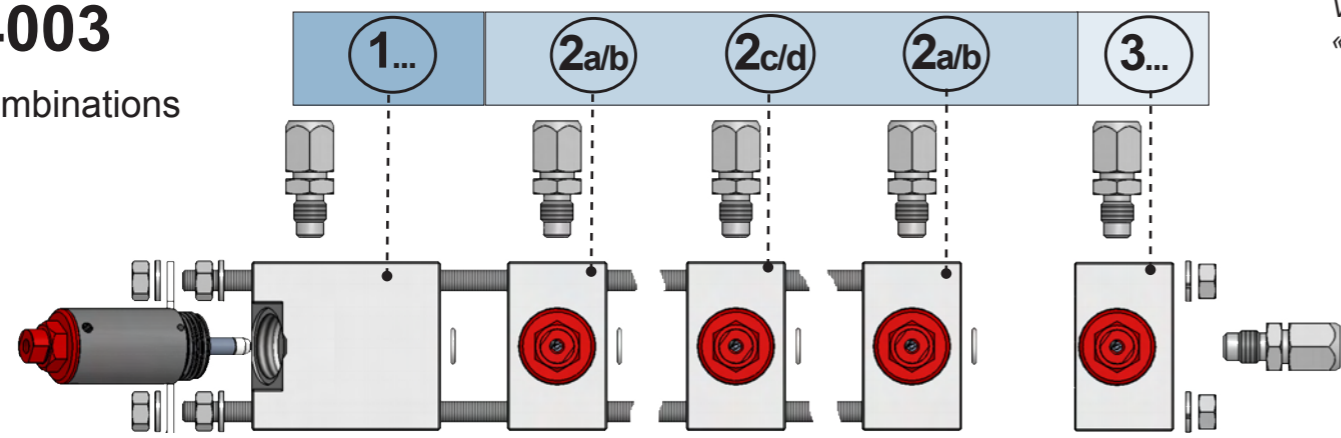
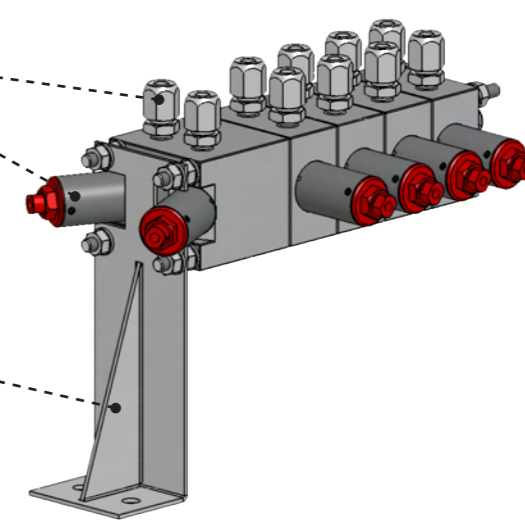


Type 4003

Possible combinations



Valves and couplings :
«POMTAVA accessories» catalog



90° mouting element :
Please consult us



1a
Emulsion block - without recirculation

1b
Emulsion block - with recirculation

1c
Flushing block - without recirculation

Input blocks

2a
Intermediate block - without recirculation

2b
Intermediate block - with recirculation

2c
Intermediate block threaded - without recirculation

2d
Intermediate block threaded - with recirculation

Note : If there are more than 8 blocks, 1 the intermediate block will be threaded

Intermediate blocks

3a
Output block - without recirculation

3b
Output block - with recirculation

3c
Output block - with controlled recirculation

3d
Blind output block - without recirculation

3e (to install on a pump)
Output block RAC

Buffer for recirculation

Control for recirculation

Output blocks

Other configurations more custom-tailored are possible